

Absolute encoders - modular bus covers

Through hollow shaft max. $\varnothing 14$ mm

Optical single and multiturn encoders 13 bit ST / 16 bit MT

CANopen / DeviceNet / EtherNet-IP / Profibus / PROFINET

G0AMH, G0MMH - *multivo*



G0MMH with modular bus cover

Features

- Encoder single- or multiturn / bus cover
- Optical sensing
- Resolution: singleturn 13 bit, multiturn 16 bit
- Through hollow shaft max. $\varnothing 14$ mm
- Compact design
- CANopen/DeviceNet/EtherNet-IP/Profibus/PROFINET
- High reliability by self-diagnostics
- Encoder for optional parameterization

Optional

- With protection class IP 69K

Technical data - electrical ratings

Voltage supply	10...30 VDC
Reverse polarity protection	Yes
Consumption w/o load	≤ 100 mA (24 VDC)
Initializing time (typ.)	250 ms after power on
Interfaces	CANopen, DeviceNet, EtherNet/IP, Profibus-DPV0, PROFINET
User address	Rotary switch in bus cover or via interface
Steps per turn	≤ 8192 / 13 bit
Absolute accuracy	$\pm 0.025^\circ$
Sensing method	Optical
Code	Binary
Code sequence	CW/CCW programmable
Interference immunity	DIN EN 61000-6-2
Emitted interference	DIN EN 61000-6-4
Programmable parameters	Steps per revolution Number of revolutions Preset Scaling Rotational direction
Diagnostic functions	Position or parameter error Multiturn sensing
Status indicator	DUO-LED integrated in bus cover
Approval	UL approval / E63076

G0AMH

Function Singleturn

G0MMH

Function Multiturn
Number of turns ≤ 65536 / 16 bit

Technical data - mechanical design

Dimensions (flange)	$\varnothing 58$ mm
Shaft type	$\varnothing 12$ mm (through hollow shaft) $\varnothing 14$ mm (through hollow shaft)
Protection DIN EN 60529	IP 54
Operating speed	≤ 6000 rpm (mechanical) ≤ 6000 rpm (electric)
Starting torque	≤ 0.04 Nm (IP 54)
Rotor moment of inertia	20 gcm ²
Materials	Housing: aluminium Flange: aluminium Bus cover: aluminium
Operating temperature	-25...+85 °C -40...+85 °C (optional)
Relative humidity	95 % non-condensing
Resistance	DIN EN 60068-2-6 Vibration 10 g, 16-2000 Hz DIN EN 60068-2-27 Shock 200 g, 6 ms
Weight approx.	600 g
Connection	Bus cover

Absolute encoders - modular bus covers

Through hollow shaft max. \varnothing 14 mm

Optical single and multturn encoders 13 bit ST / 16 bit MT

CANopen / DeviceNet / EtherNet-IP / Profibus / PROFINET

G0AMH, G0MMH - *multivo*

Part number

Singleturn

G0AMH. 20

	Interface
3EA2	PROFINET / connector M12
3P32	Profibus-DPV0 / cable gland
5P32	CANopen / cable gland
8EA2	EtherNet/IP / connector M12
8P22	DeviceNet / cable gland

Through hollow shaft / clamping ring

0	\varnothing 12 mm, without pin / on flange
1	\varnothing 12 mm, pin 15 mm / on flange
4	\varnothing 14 mm, without pin / on flange
5	\varnothing 14 mm, pin 15 mm / on flange
L	\varnothing 12 mm, without pin / on housing
A	\varnothing 12 mm, pin 23.5 mm / on housing
M	\varnothing 14 mm, without pin / on housing
E	\varnothing 14 mm, pin 23.5 mm / on housing

Multiturn

G0MMH. 20

	Interface
3EA2	PROFINET / connector M12
3P32	Profibus-DPV0 / cable gland
5P32	CANopen / cable gland
8EA2	EtherNet/IP / connector M12
8P22	DeviceNet / cable gland

Through hollow shaft / clamping ring

0	\varnothing 12 mm, without pin / on flange
1	\varnothing 12 mm, pin 15 mm / on flange
4	\varnothing 14 mm, without pin / on flange
5	\varnothing 14 mm, pin 15 mm / on flange
L	\varnothing 12 mm, without pin / on housing
A	\varnothing 12 mm, pin 23.5 mm / on housing
M	\varnothing 14 mm, without pin / on housing
E	\varnothing 14 mm, pin 23.5 mm / on housing

CD with file descriptions is not included in the delivery.
You may order them on CD as accessory free-of-charge
under part number Z 150.022.

Accessories

Mounting accessories

Z 119.041	Torque support by rubber buffer element for encoders with 15 mm pin
Z 119.050	Spring coupling for one-side attachment, length 35 mm
Z 119.053	Spring coupling for motor's fan guard
Z 119.072	Spring coupling for encoders with \varnothing 58 mm housing, hole distance 73 mm
Z 119.073	Spring coupling for encoders with \varnothing 58 mm housing, hole distance 68 mm
Z 119.076	Spring coupling for one-side attachment, length 115 mm
Z 119.082	Spring coupling for encoders with \varnothing 58 mm housing, hole distance 63 mm

Programming accessories

Z 150.022	CD with describing files & manuals
-----------	------------------------------------

Absolute encoders - modular bus covers

Through hollow shaft max. $\varnothing 14$ mm

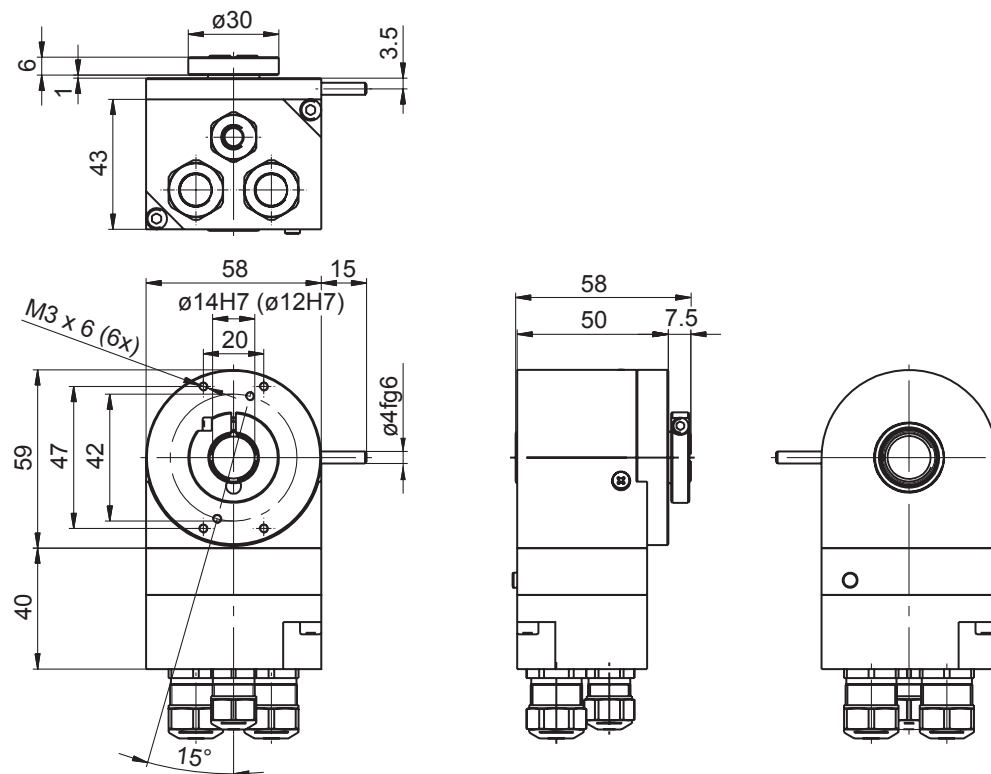
Optical single and multturn encoders 13 bit ST / 16 bit MT

CANopen / DeviceNet / EtherNet-IP / Profibus / PROFINET

G0AMH, G0MMH - *multivo*

Dimensions

G0AMH, G0MMH - clamping ring on flange / CANopen, Profibus



G0AMH, G0MMH - clamping ring on flange / DeviceNet

