

Incremental encoders

End shaft max. $\varnothing 20$ mm or cone shaft $\varnothing 17$ mm (1:10)

Resolution 1...2500 pulses

HOG 10, HOG 10 + FSL



HOG 10

Technical data - electrical ratings

Voltage supply	5 VDC ± 5 % 9...26 VDC 9...30 VDC
Consumption w/o load	≤ 100 mA
Resolution (steps/turn)	1...2500
Phase shift	$90^\circ \pm 20^\circ$
Scan ratio	40...60 %
Reference signal	Zero pulse, width 90°
Sensing method	Optical
Output frequency	≤ 120 kHz
Output signals	K1, K2, K0 + inverted
Output circuit	TTL (RS422) HTL (power line driver)
Interference immunity	DIN EN 61000-6-2
Emitted interference	DIN EN 61000-6-4

HOG 10

Approval	UL approval / E256710
----------	-----------------------

HOG 10 + FSL

Output switching capacity	6 A / 230 VAC 1 A / 125 VDC
Range of switching speed (ns)	850...4900 rpm ($\Delta n = 2$ rpm/s)

Features

- Encoder with end shaft max. $\varnothing 20$ mm
- Optical sensing
- Logic level TTL with regulator UB 9...26 VDC
- Logic level HTL with power line driver
- Protection against inductive shaft current with hybrid bearings
- Axial terminal cover or radial terminal box
- Also in conjunction with centrifugal force switch FSL (no explosion protection)

Optional

- Twin-encoder featuring two separate systems

Technical data - mechanical design

Housing	$\varnothing 105$ mm
Shaft	$\varnothing 12$...20 mm end shaft $\varnothing 17$ mm cone shaft 1:10
Protection DIN EN 60529	IP 66
Operating torque typ.	6 Ncm
Admitted shaft load	≤ 250 N axial ≤ 400 N radial
Materials	Housing: aluminium die-cast alloy Shaft: stainless steel
Operating temperature	-40 ... $+100$ °C -50 ... $+100$ °C (optional)

HOG 10

Operating speed	≤ 6000 rpm (mechanical)
Rotor moment of inertia	340 gcm ²
Resistance	DIN EN 60068-2-6 Vibration 10 g, 10-2000 Hz DIN EN 60068-2-27 Shock 200 g, 6 ms
Explosion protection	II3G Ex nA T4 X (gas) II3D Ex tD IP66 A22 T135°C X (dust)
Weight approx.	1.6 kg
Connection	Terminal box Terminal cover

HOG 10 + FSL

Speed (n)	$\leq 1.25 \cdot ns$
Rotor moment of inertia	400 gcm ²
Resistance	DIN EN 60068-2-6 Vibration 5 g, 10-2000 Hz DIN EN 60068-2-27 Shock 50 g, 11 ms
Weight approx.	2.1 kg
Connection	Terminal box

Incremental encoders

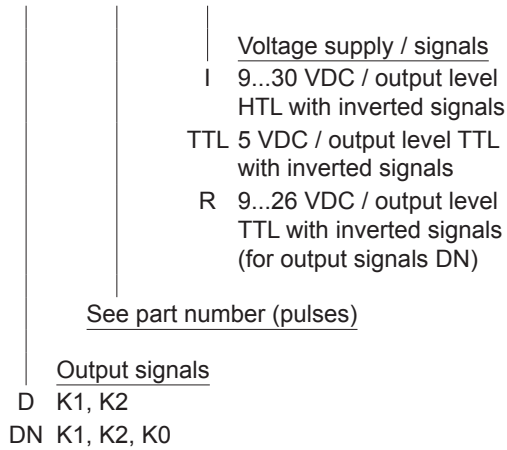
End shaft max. \varnothing 20 mm or cone shaft \varnothing 17 mm (1:10)
Resolution 1...2500 pulses

HOG 10, HOG 10 + FSL

Part number

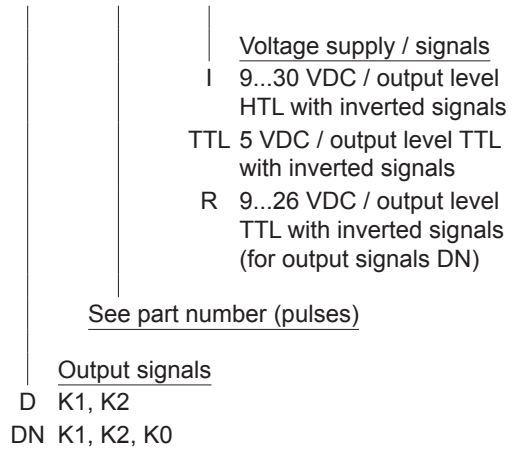
Incremental encoder

HOG 10



Incremental encoder with centrifugal force switch FSL

HOG 10 + FSL



Part number (pulses)

1	12	64	250	900
2	15	72	256	1000
3	20	80	300	1024
4	25	100	360	1200
5	30	120	400	1250
6	40	128	500	2048
8	50	180	512	2500
10	60	192	600	
11	62	200	720	

Other pulse numbers upon request.

Please indicate the required switching rotation speed when ordering with centrifugal force switch (permanent parameter defined at works).

Accessories

HENQ 1100
 Analyzer for encoders

Connectors and cables

HEK 8 Sensor cable for encoders

Mounting accessories

DS-K...6 Torque arm
 Ball joints DIN ISO 12240-4, size K ... 6

Incremental encoders

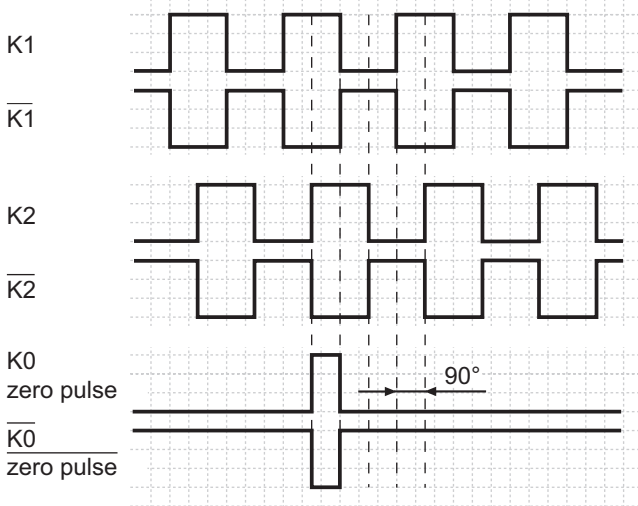
End shaft max. $\varnothing 20$ mm or cone shaft $\varnothing 17$ mm (1:10)

Resolution 1...2500 pulses

HOG 10, HOG 10 + FSL

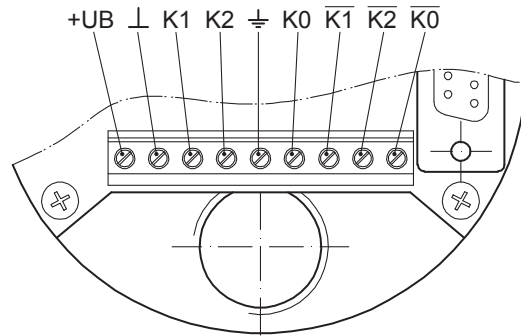
Output signals

at positive direction of rotation

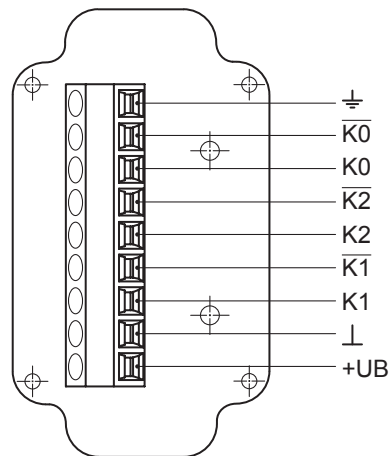


Terminal assignment

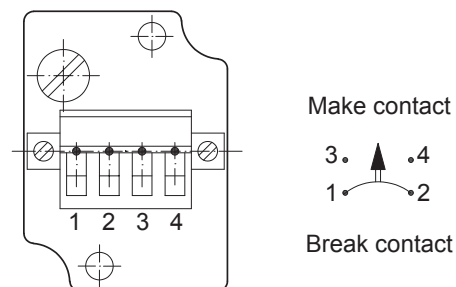
View A - Connecting terminal in axial terminal cover



View C - Connecting terminal in radial terminal box



View D - Connecting terminal mechanical speed switch



Incremental encoders

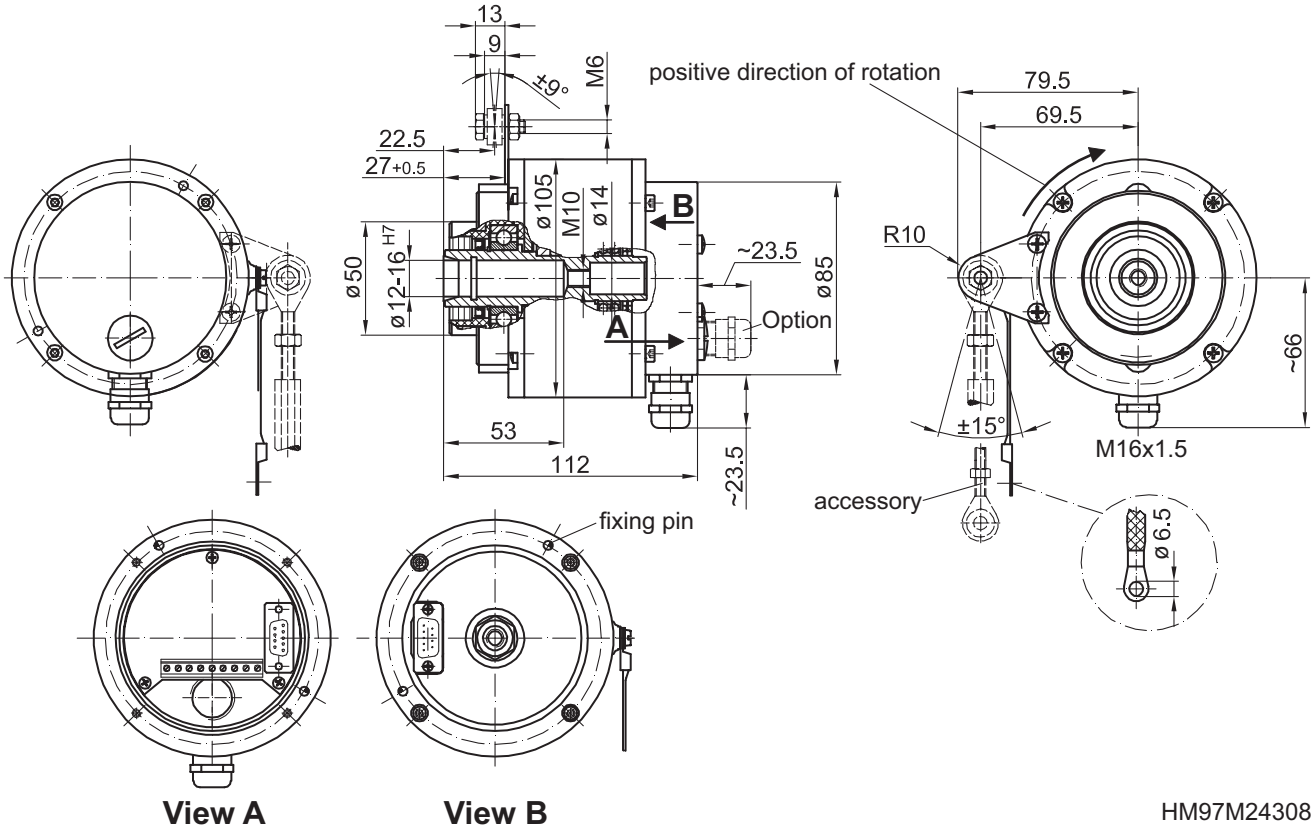
End shaft max. $\varnothing 20$ mm or cone shaft $\varnothing 17$ mm (1:10)

Resolution 1...2500 pulses

HOG 10, HOG 10 + FSL

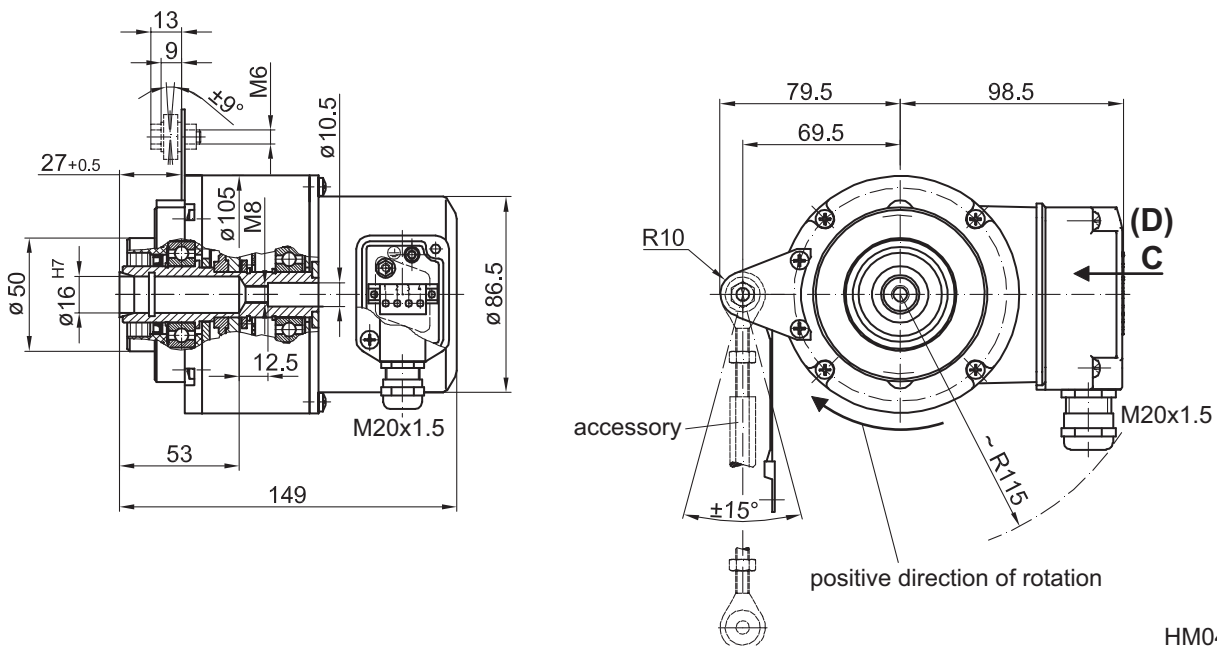
Dimensions

HOG 10 - Axial terminal cover and end shaft



HM97M24308

HOG 10 + FSL - Combination with centrifugal force switch FSL



HM04M26715

Subject to modification in technic and design. Errors and omissions excepted.